

Applications



Overhead Line
Electrification

Product Specification

Material - Top Dropper

- Housing: Copper Sheet - C101 Half Hard
- Cam & Wedge: SINTOX FA
- Core: EMS Grivory (GV-5HL)
- Carriage & Button: Impact Modified Polyoxymethylene
- Torsion Spring: Stainless Steel (316)
- Compression Spring: Stainless Steel (316)
- Bolts: A4 Stainless (316)

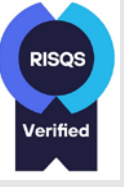
Material - Contact Clamp

- Housing: Copper Sheet - C101 Half Hard
- Lever Stem: Stainless Steel (316)
- Lever and Lever washer: EMS Grivory (GV-5HL)
- Plain Washer: A4 Stainless (316)
- Lever Pin: Stainless Steel (316)
- Wire Crimp: C101 Copper (Cu-ETP)

Compatibility

	Top Dropper	Contact Clamp
Centenary / Contact Wire Acceptance	10.5 mmø	5.5 mmø - 5.8 mmø
Dropper Wire Acceptance	4.6 mm (pre-assembled)	

Approvals

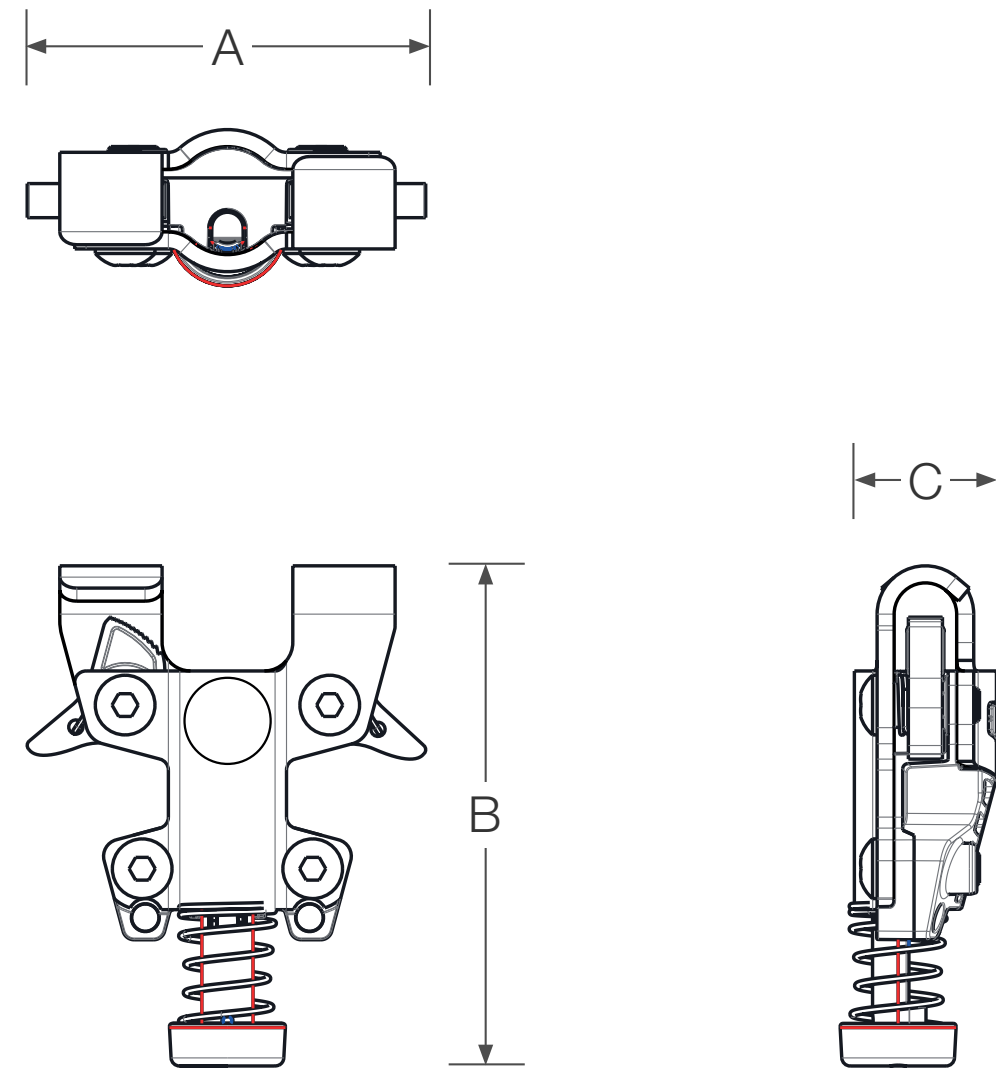
UK	USA	CANADA	FRANCE	GERMANY	ITALY	NETHERLANDS	POLAND	PORTUGAL	SPAIN	INDIA
BS EN 50119										
Certificate of Acceptance (Network Rail)										
										
Master series reference number C99/F01/006										

- **RISQS Approval**
 RISQS (Rail Industry Supplier Qualification Scheme) verified to supply into both Civil and Electrification applications. RISQS provides verification by an independent industry scheme and demonstrates compliance with UK and EU procurement.
- **Network Rail Product Approval:**
 The product acceptance process gives Network Rail the assurance that products accepted for use on their infrastructure are:

 - Safe
 - Compatible
 - Reliable
 - Fit for purpose
 - Do not export unacceptable risks to Network Rail infrastructure

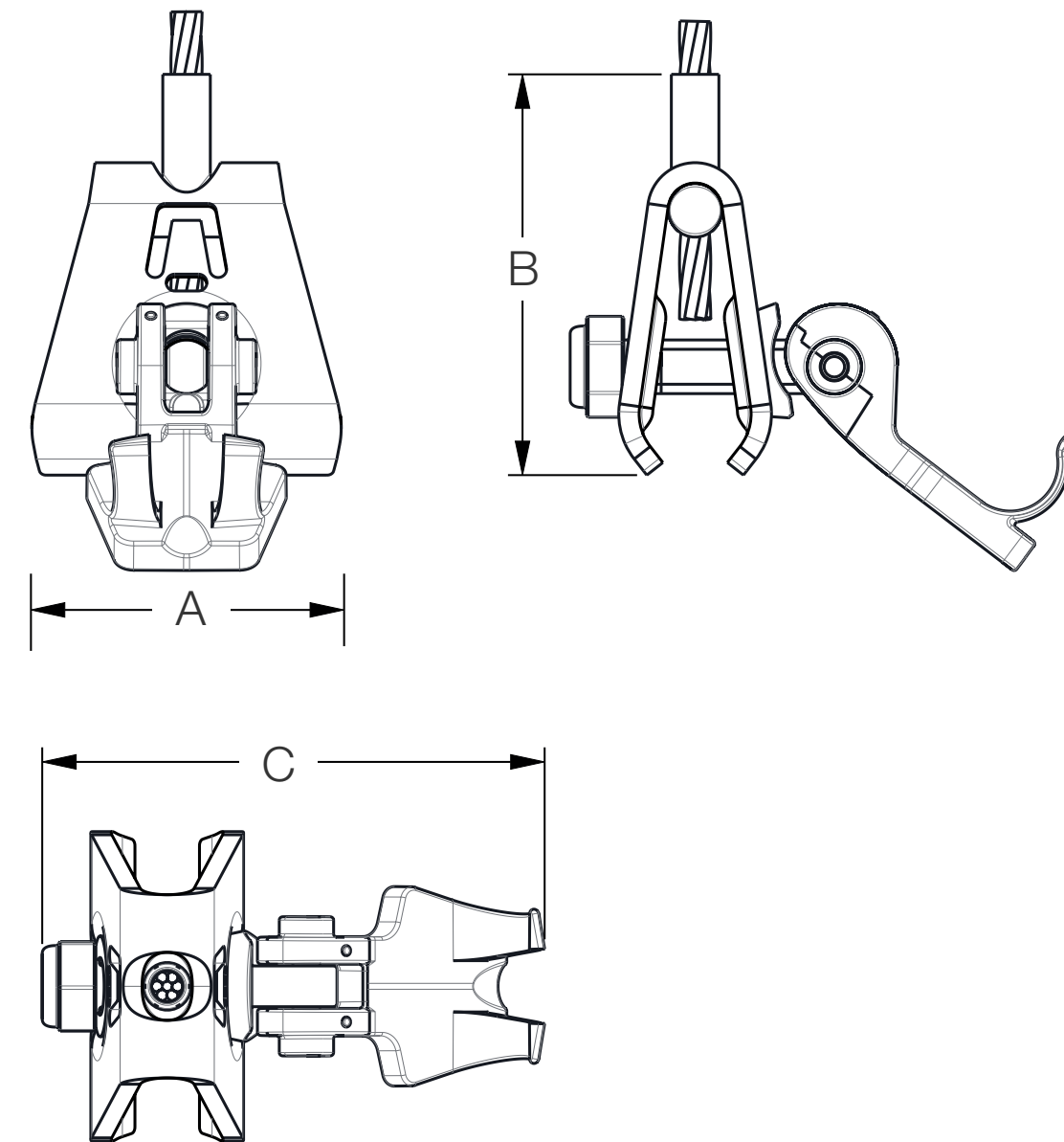
*Only accepted products can be used on Rail infrastructure.

Dimensions



Top Dropper

A	70.12 mm
B	87.9 mm
C	27.5 mm



Contact Clamp

A	45.53 mm
B	58.98 mm
C	73.97 mm

Packaging

Kit Type	Kit Contents	Weight / Kit
GRD-10.5-KIT-1.1M	10.5mmø Rail Dropper, 1.4m of 4.6mmø Dropper Cable & Contact Clamp	368 g
GRD-10.5-KIT-1.4M	10.5mmø Rail Dropper, 1.7m of 4.6mmø Dropper Cable & Contact Clamp	396 g
GRD-10.5-KIT-1.8M	10.5mmø Rail Dropper, 2.1m of 4.6mmø Dropper Cable & Contact Clamp	433 g
GRD-10.5-KIT-2.2M	10.5mmø Rail Dropper, 2.5m of 4.6mmø Dropper Cable & Contact Clamp	470 g

Box Type	Quantity / Box	Boxes per pallet (US)	Boxes per pallet (Eur)
Small	10 / Box	81	60

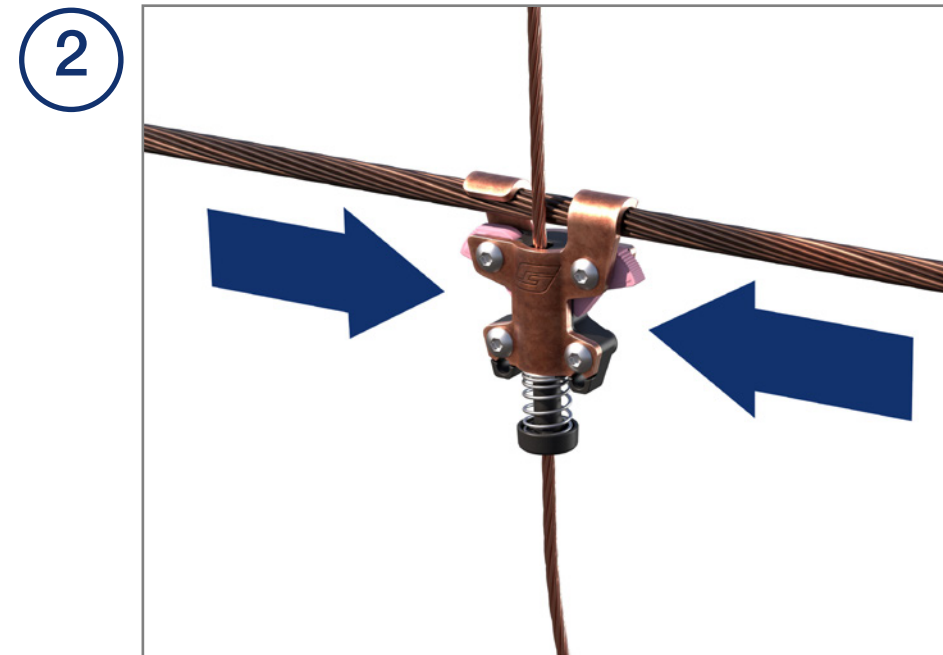
Testing

Type of Testing	Description
Mechanical Testing	Mechanically tested to BS EN 50119
Electrical Testing	Fully conductive and electrically tested to BS EN 50119 Tested to 100A for 30 mins without exceeding 120°C Tested to 1.8kA for 1 second without exceeding 170°C
Corrosion Testing	Salt spray tested for 720 hours
UV Testing	Tested to extreme UV conditions without a drop in performance

Installation



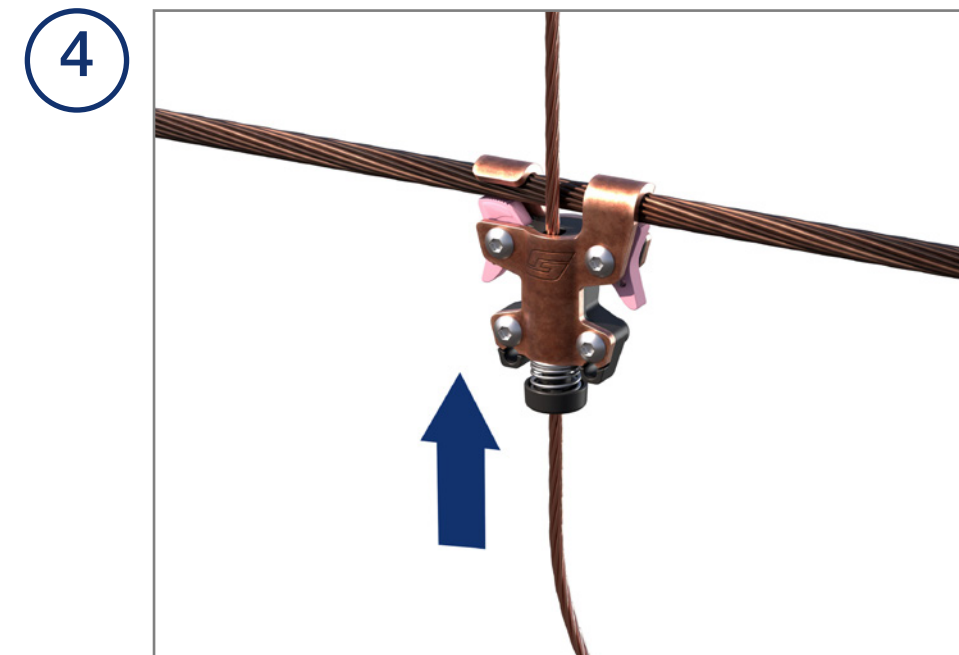
Fix the Top Dropper to the catenary wire using a quarter turn nature.



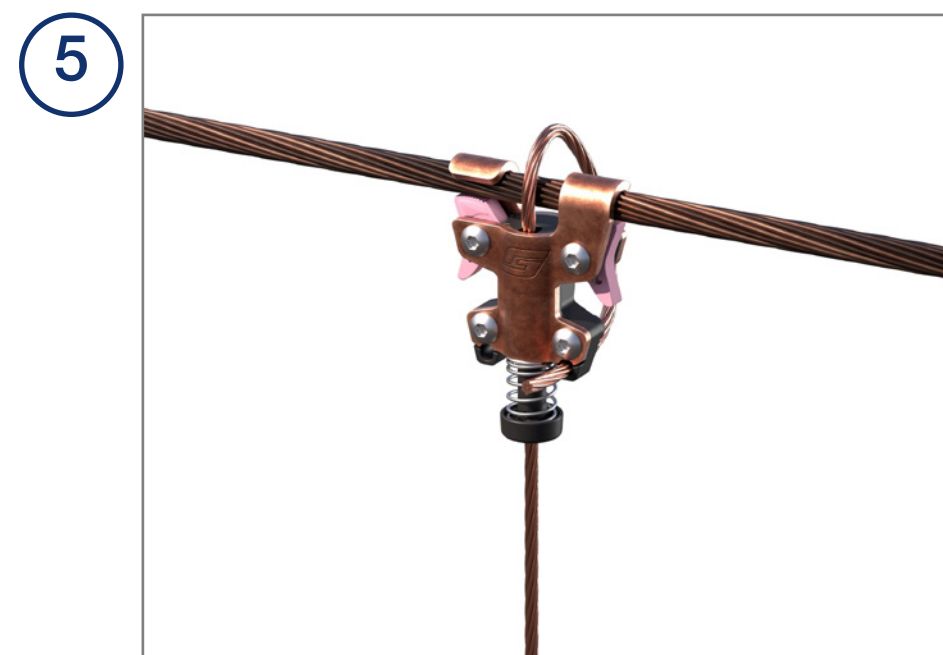
Adjust Top Dropper horizontally by compressing the two CAMs simultaneously (as shown) until it is in the correct position. Release the CAMs to lock the Top Dropper in position.



Fix the Contact Clamp to the Contact Wire by placing the Clamp onto the anvil and flipping the lever to apply clamping force. The two hooks should hook fully over the Contact Clamp (as shown).



Compress the release button and pull the vertical wire upwards to adjust the length of the drop to the length which is needed (as shown).



Wrap the excess wire which is above the Top Dropper around to the opposite side of the housing and push it through the lower hole (as shown) to allow it to operate as a fail safe.