



Applications



Overhead Line
Electrification

Product Specification

Material - Jumper Clamp

- Housing: Cu-ETP
- V-Spring: Stainless Steel (304)
- Lever: Stainless Steel (316)
- Lever Pin: Stainless Steel (316)
- Stem: Stainless Steel (316)
- Saddle: Stainless Steel (316)

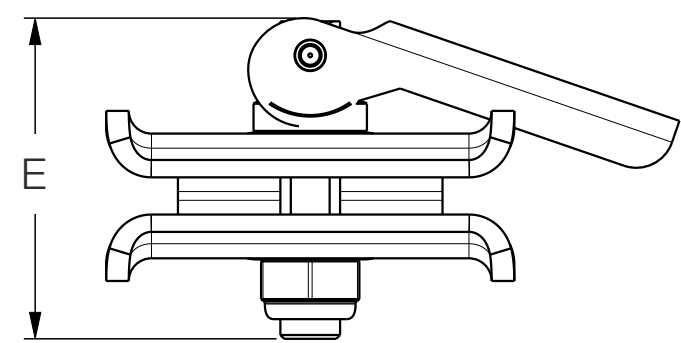
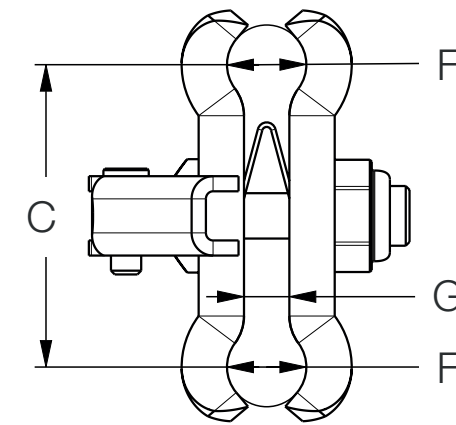
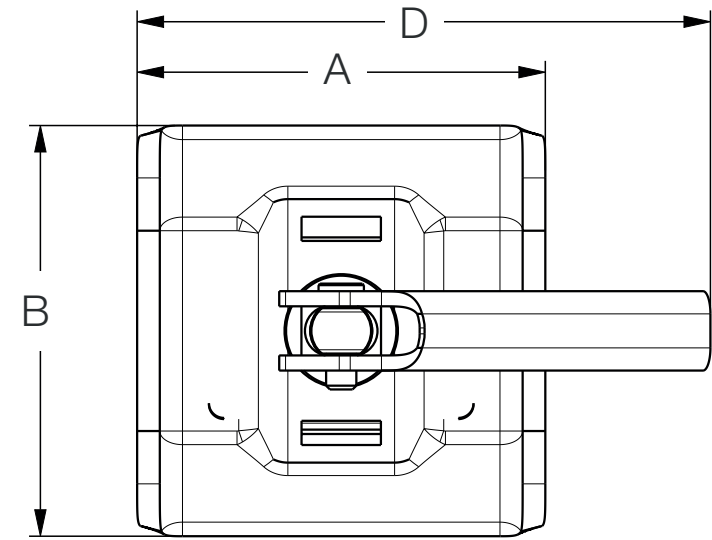
Material - Strain Relief

- Housing: Nylon (PA66)

Compatibility

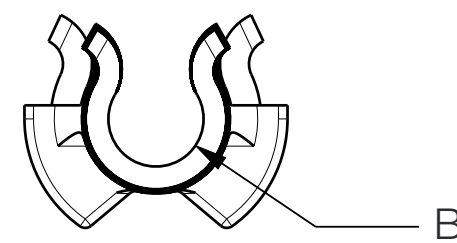
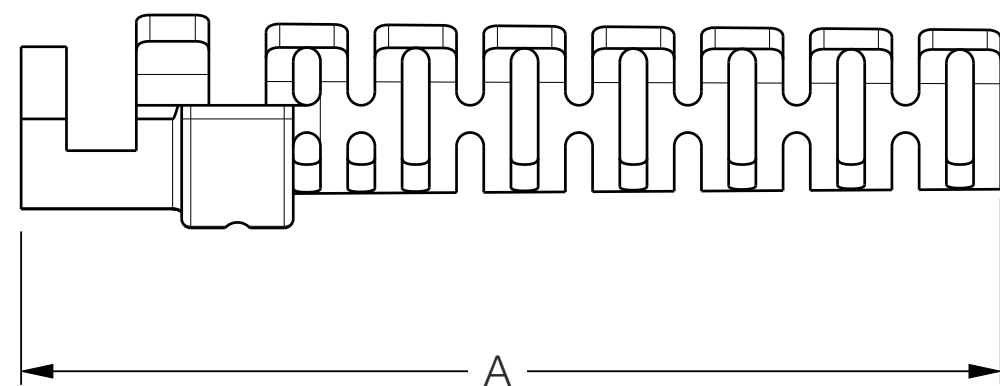
Wire Type	mmø
Catenary Wire	10.6
Contact Wire	5.5 - 5.8
Jumper Wire	10.6

Dimensions



Jumper Clamp

A	54.0 mm
B	54.3 mm
C	40.0 mm
D	75.8 mm
E	42.4 mm
F	10.5 mm \varnothing
G	6.0 mm



Strain Relief

A	108.0 mm
B	10.5 mm

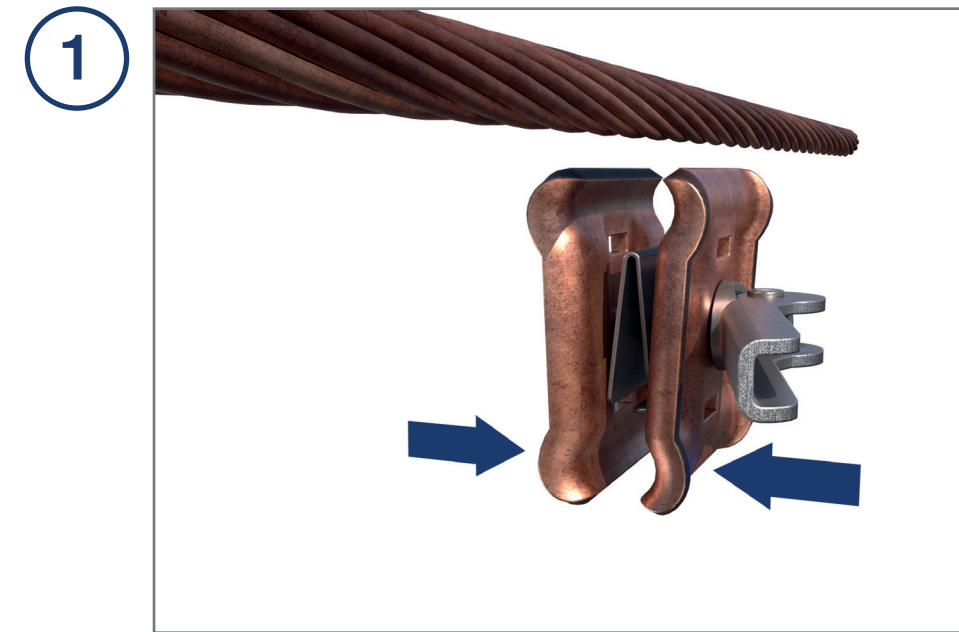
Packaging

Kit Type	Kit Contents	Weight / Kits	Box Type	Quantity / Box
GRJ-KIT-10	10 x Rail Jumper Clamps & 20 x Strain Relief	2.25 kg	Small (235 x 235 x 95 mm)	10 Clamps / 20 Strain Reliefs
GRJ-KIT-20	20 x Rail Jumper Clamps & 40 x Strain Relief	4.5 kg	Medium (275 x 255 x 155 mm)	20 Clamps / 40 Strain Reliefs

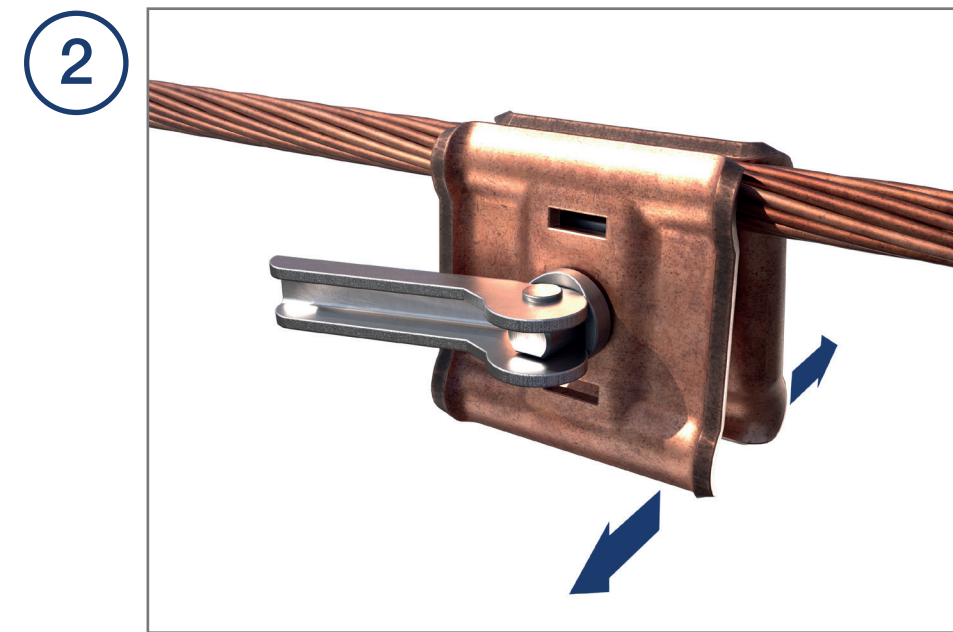
Testing

Type of Testing	Description
Mechanical Testing	Mechanically tested to BS EN 50119 and NR/L2/ELP/27428 Vertically pull tested to >180 kg
Electrical Testing	Electrical Heat Cycle Test to BS EN 61284 12kA Short Circuit test to NR/L2/ELP/27428

Installation



1 Introduce the Jumper clamp up to the catenary wire, squeezing the bottom of the clamp to open the top jaws.



2 Position the Jumper clamp over the catenary wire and let go of the clamp, allowing the lower jaws of the clamp to activate.



3 Introduce the Jumper wire into the bottom of the Jumper clamp and pull the lever closed. Ensure the lever is completely closed, it should touch the body of the clamp.



4 The Jumper clamp is now fully installed on the catenary wire.



5 Introduce the second Jumper clamp, onto the contact wire, squeezing the top of the clamp to open the jaws.



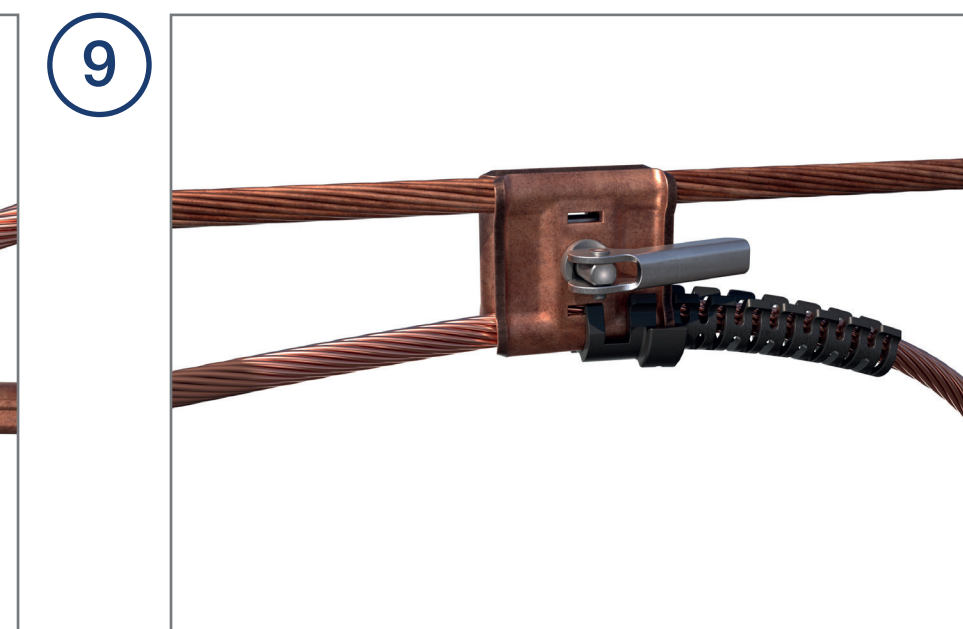
6 Position the Jumper clamp over the contact wire's anvil and release the clamp to activate the upper jaws.



7 Introduce the Jumper wire into the top of the Jumper clamp and pull the lever closed. Ensure the lever is completely closed, it should touch the body of the clamp. Where possible ensure the lever is closed, in the most common direction of train travel.



8 The Jumper clamp is now fully installed on the contact wire.



9 Introduce the strain relief up to the Jumper clamp and locate the holes using the tabs. Press the strain relief on to the clamp, ensuring it is also fully pressed on to the Jumper wire. Repeat the same step on the Jumper clamp which interacts with the contact wire.